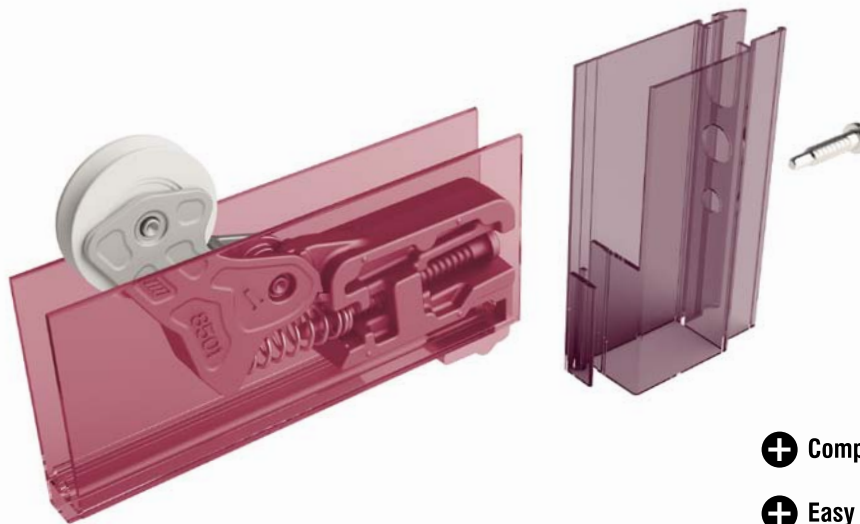


# ROBSON SQUARE CUT



**Innovation, versatility, technology.**

# ROBSON SQUARE CUT



**Corner joint for screen doors, casement windows and sliding profiles with square cut.** Pre-installation by insertion, tightening and adjustment by Recex® screws. Sold individually or along with ball bearing POM wheel roller.  anti-corrosion coating available on demand.

- ⊕ Compatible with standard rollers
- ⊕ Easy assembly
- ⊕ Adjustable roller height
- ⊕ Long lasting material
- ⊕ Noiseless technology